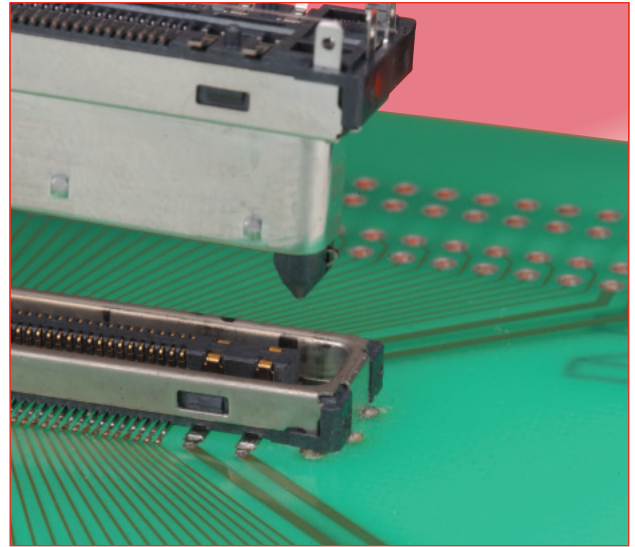


0.6 mm Pitch, Docking Station Connectors

EX80 Series



■ Features

1. Secure electrical and mechanical connection

The signal contacts wipe of 1.5 mm and built-in self-alignment assures reliable connection between plug and receptacle.

2. Sequential mating

Plug design assures correct contact engagement sequence: ground-signal-power.

3. Reliable ground connection

Guide tabs on the metal shell assure correct grounding sequence and high ground connection reliability with the board.

4. High-speed data transfer

Signals of 2.5 G bps can be transferred (PCI express).

5. Prevention of flux wicking

Terminations of the contacts are designed to prevent a possibility of flux wicking into the contact areas.

6. Self alignment

The connectors will self-align in X/Y axis within 1.2mm (0.7mm for receptacles with self-opening shutters)

7. Dedicated power supply contacts

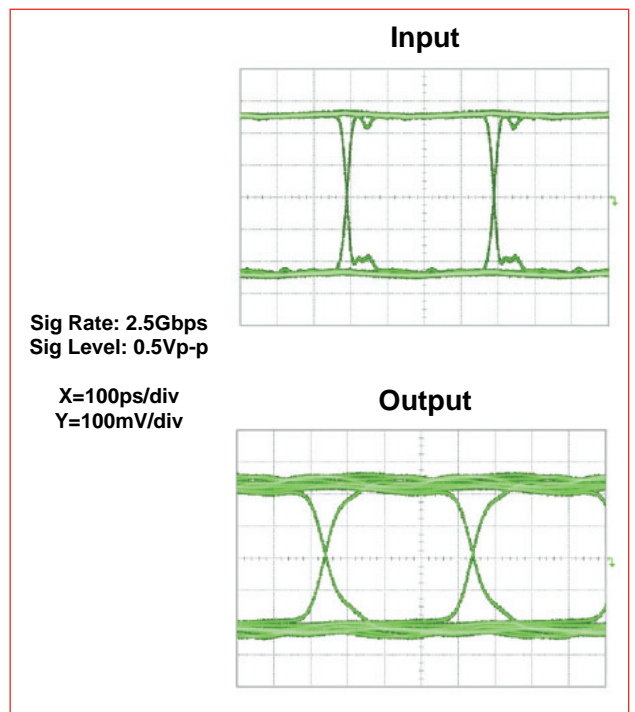
High electrical conductivity dedicated power contacts are rated 3 A.

8. High durability

Bellows contact configuration assures reliable electrical and mechanical connection for 5,000 cycles (mating/un-mating).

■ Applications

Docking stations for notebook computers and other applications requiring high reliability, high data transfer sequential mating connections.



■Product specifications

Ratings	Storage temperature range	-55°C to +85°C	
	Voltage rating	125V AC	
	Current rating	Signal contact	0.5A
Power contact		3A	

Characteristic	Specification	Conditions
1.Contact resistance	Signal contact: 70m ohms max. Power contact: 40m ohms max.	100mA
2.Insulation resistance	300M ohms min.	250V DC
3.Withstanding voltage	No flashover or insulation breakdown.	350V AC/one minute

■Materials

●Receptacles

Component	Material	Finish
Contacts	Copper alloy	Selective gold plated
Insulator	LCP	—
Shell	Stainless steel	Tin-lead or tinned copper plated

●Plugs

Component	Material	Finish
Contacts	Copper alloy	Selective gold plated
Insulator	LCP	—
Shell	Stainless steel	Tin-lead or tinned copper plated

■Ordering information

●Receptacles

EX 80 - 54(50) S - SH (05)

① ② ③ ④ ⑤ ⑥

●Plugs

EX 80 - 54(50) P (01)

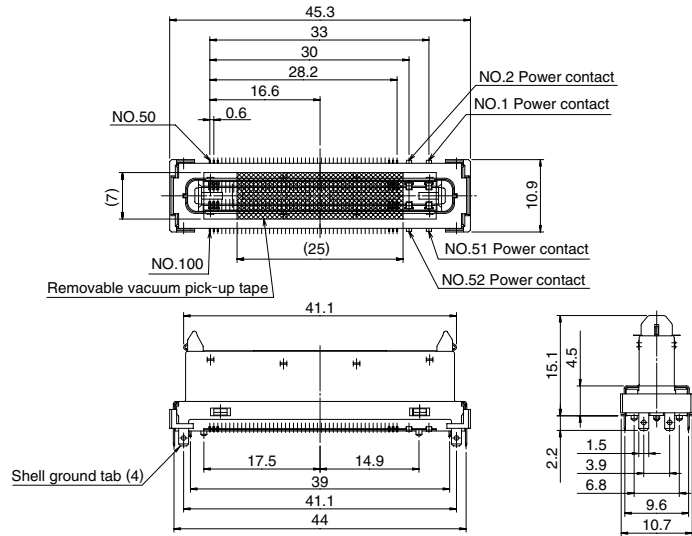
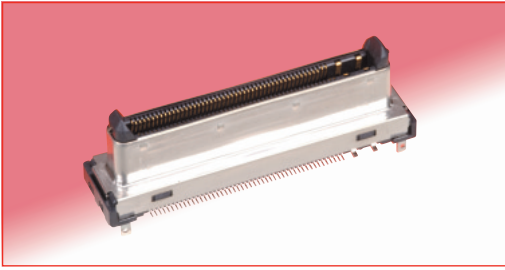
① ② ③ ④ ⑥

① Series number	: EX
② Model serial indicator 80	: Vertical SMT type
③ Number of contacts	: 54, 100, 240 : 54(50)... 50 contacts mounted in a 54-contact size
④ Connector types	S: Receptacle connectors (Shell ground tab length 0.9 mm / 1.0 mm for 240 contacts) P: Plug connectors (Shell ground tab length 0.9 mm / 1.0 mm for 240 contacts) P1: Plug connectors (Shell ground tab length 2.2 mm)
⑤ Receptacle, with shutter	SH: Built-in shutters
⑥ Separate specifications	: See the Specifications Sheet of each products.

Note: All connectors in this series are designed to be placed on the PCB 1mm min. thick.

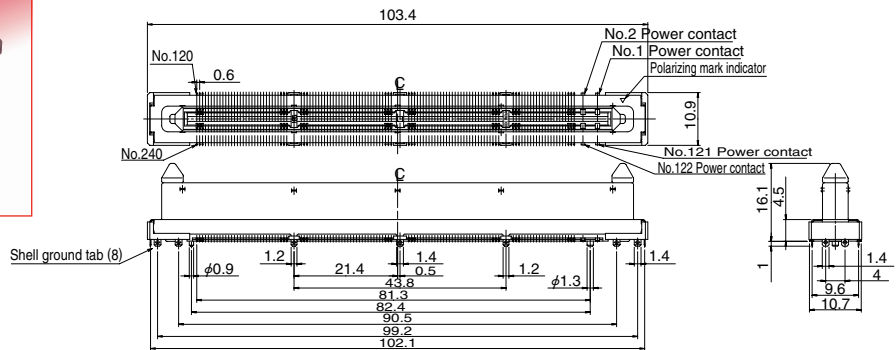
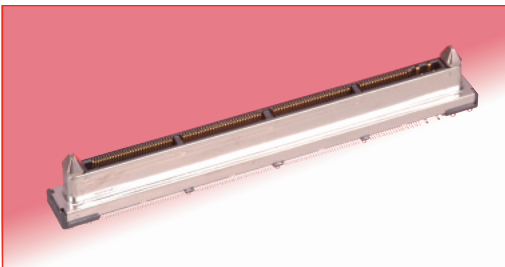
Plugs

●100 pos.



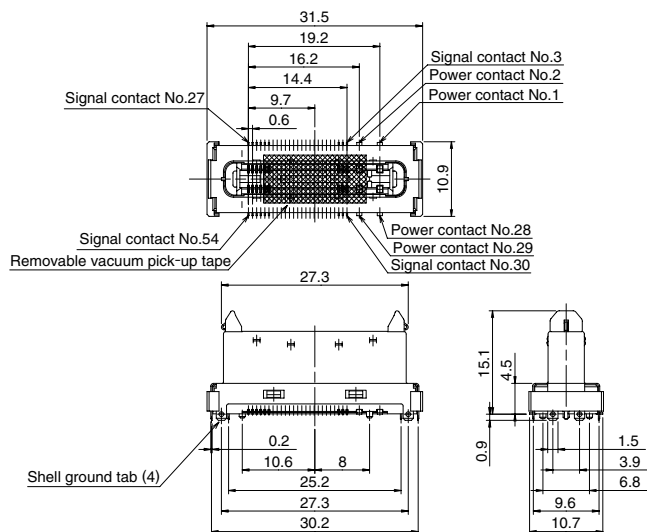
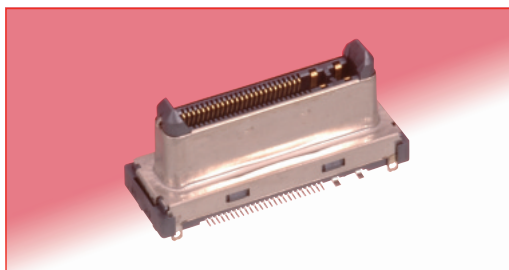
Part number	CL No.	Contact plating (contact area/termination)	Shell plating	Packaging
EX80-100P1	232-0598-9	Gold / Tin-lead	Tin-lead	1 piece (Tray)

●240 pos.



Part number	CL No.	Contact plating (contact area/termination)	Shell plating	Packaging
EX80A-240P	232-0596-3	Gold / Tin-lead	Tin-lead	1 piece (Tray)

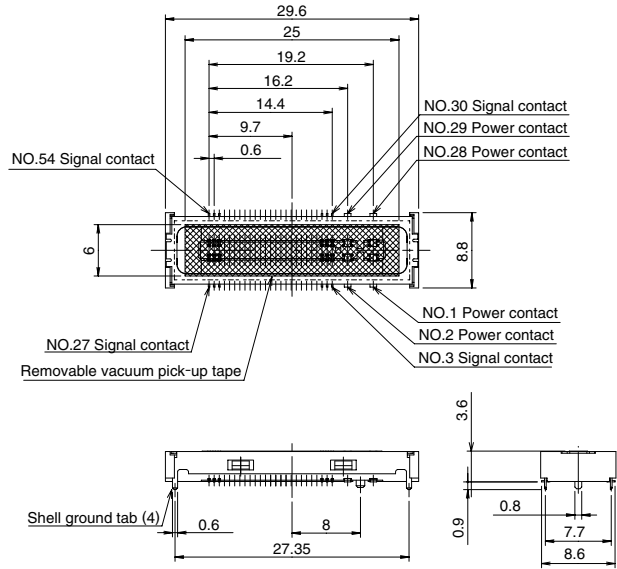
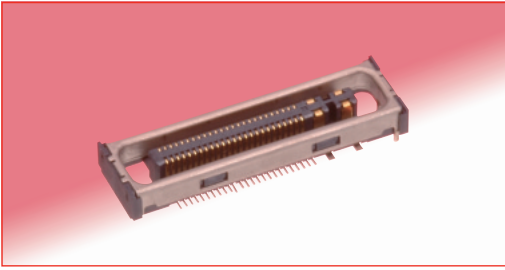
●54 pos.



Part number	CL No.	Contact plating (contact area/termination)	Shell plating	Packaging
EX80-54P(01)	232-0610-2-01	Gold / Tinned copper	Tinned copper	1 piece (Tray)

Note: The design of the EX80-54P(01) does not have a detection signal contact.

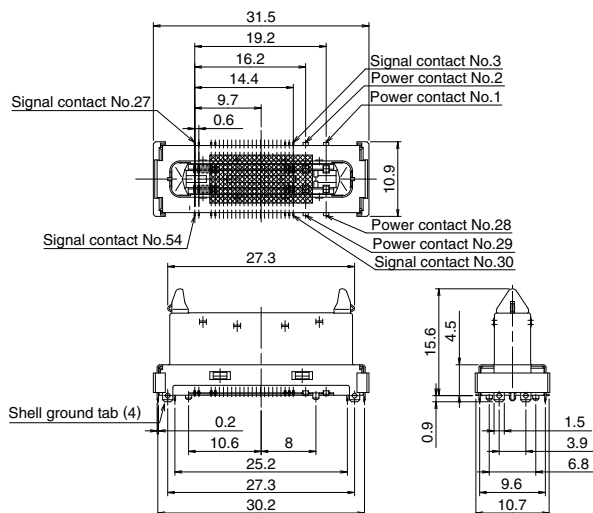
●54 pos.



Part number	CL No.	Contact plating (contact area/termination)	Shell plating	Packaging
EX80-54S	232-0609-3	Gold / Tinned copper	Tinned copper	1,000 pieces/reel

■ Plug

●54 pos.

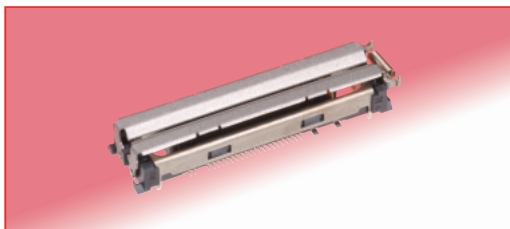


Part number	CL No.	Contact plating (contact area/termination)	Shell plating	Packaging
EX80-54(50)P	232-0607-8	Gold / Tin-lead	Tinned copper	1 piece (Tray)

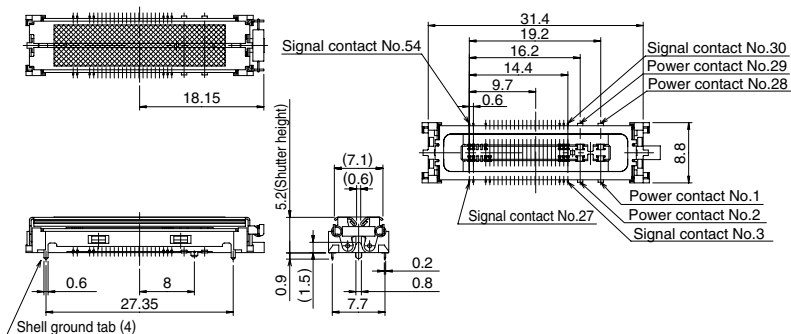
Note: The design of the EX80-54(50)P does not have a detection signal contact.

■ Receptacle (With shutter)

●54 pos.



◆ Shown without shutter

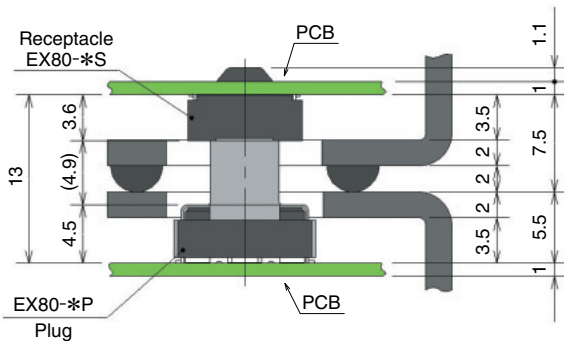


Part number	CL No.	Contact plating (contact area/termination)	Shell plating	Shutter color	Packaging
EX80-54(50)S-SH(05)	232-0606-5-05	Gold / Tin-lead	Tinned copper	Silver	500 pieces/reel
EX80-54(50)S-SH(06)	232-0606-5-06	Gold / Tin-lead	Tinned copper	Black	500 pieces/reel

■ Connector mounting condition

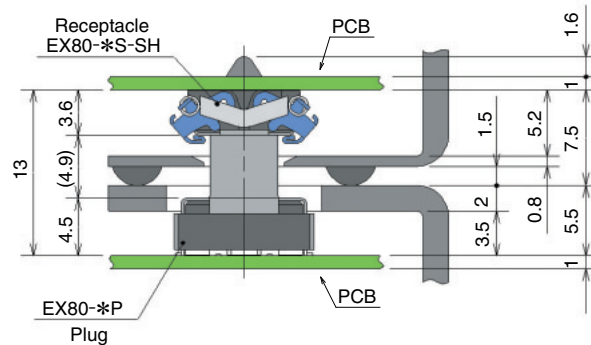
● Type without shutters

Housing mounting condition
(Shown for reference only)



● Type with shutters

Housing mounting condition
(Shown for reference only)



Note: The stacking length between boards of this connector is 13 mm.

USA:

HIROSE ELECTRIC U.S.A., INC.

2688 Westhills Court, Simi Valley, CA 93065-6235
 Phone : 1 805 522 7958
 Fax : 1 805 522 3217
<http://www.hiroseusa.com>

GERMANY:

HIROSE ELECTRIC GmbH

Herzog-Carl-Str.4 D-73760 Ostfildern
 Phone : 49 711 4560021
 Fax : 49 711 456002-299
<http://www.hirose.de>

THE NETHERLANDS:

HIROSE ELECTRIC EUROPE B.V.

Beechavenue 46.1119PV
 Schiphol-Rijk
 Phone : 31 20 6557460
 Fax : 31 20 6557469
<http://www.hiroseurope.com>

UNITED KINGDOM:

HIROSE ELECTRIC UK LTD.

Crownhill Business Centre 22 Vincent Avenue
 Crownhill, Milton Keynes MK8 OAB
 Phone : 44 1908 305400
 Fax : 44 1908 305401
<http://www.hirose.co.uk>

KOREA:

HIROSE KOREA CO., LTD.

(#2NA311, Shihwa Industrial Complex),
 1261-10, Jeoungwhang-Dong, Shihung-City, Kyunggi-Do
 Phone : 82 31 496 7000,7124
 Fax : 82 31 496 7100
<http://www.hirose.co.kr>

CHINA:

HIROSE ELECTRIC TRADING(SHANGHAI) CO., LTD.

3705, Bund Center, 222 Yan An Road(E), Shanghai 20002
 Phone : 86 21 6335 2538
 Fax : 86 21 6335 0767

HONG KONG:

HIROSE ELECTRIC CO., LTD.

Unit 506, Energy Plaza. 92 Granville Road, Tsim Sha
 Tsui East, Kowloon
 Phone : 852 2803 5338
 Fax : 852 2591 6560

TAIWAN:

HIROSE ELECTRIC TAIWAN CO., LTD.

No.28 Lane 247 Sec. 2 Yen Ping N, Rd. Taipei
 Phone : 886 2 2557 7351,7352
 Fax : 886 2 2552 9851

SINGAPORE:

HIROSE ELECTRIC CO., LTD.

10 Anson Road #34-13 International Plaza 079903
 Phone : 65 6324 6113
 Fax : 65 6324 6123



HRS

HIROSE ELECTRIC CO., LTD.

5-23, OSAKI 5-CHOME, SHINAGAWA-KU, TOKYO 141-8587, JAPAN
 PHONE: 81-3-3491-9741, FAX: 81-3-3493-2933
<http://www.hirose.com>
<http://www.hirose-connectors.com>